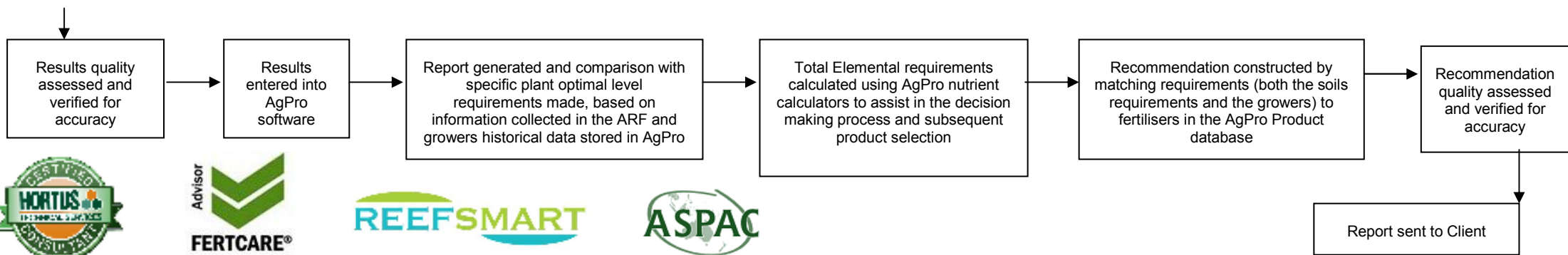
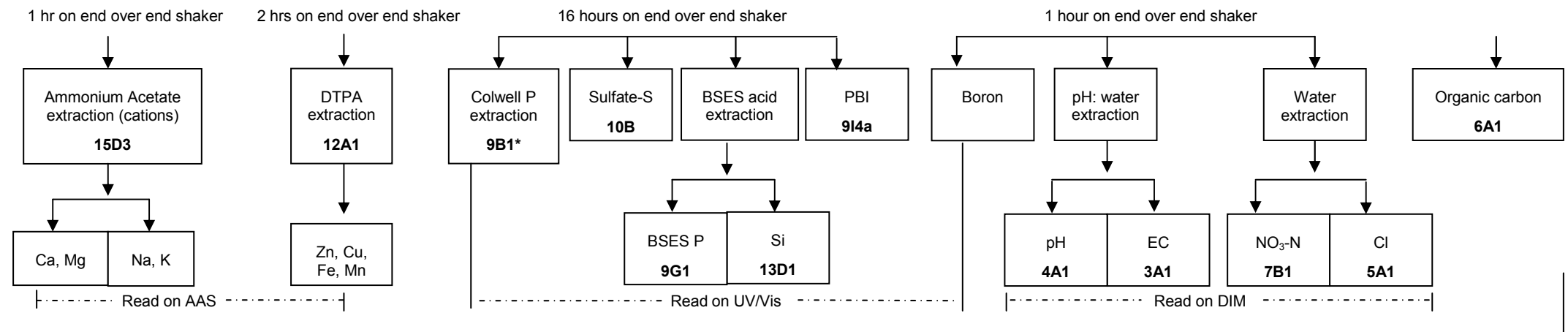
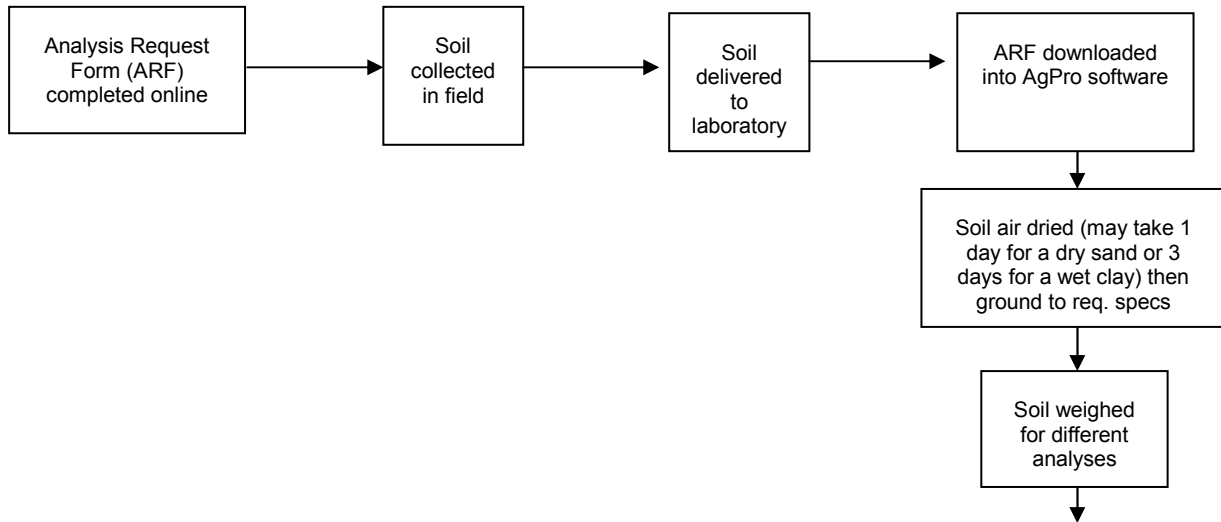


# SOIL FLOW CHART



\* The numbers in bold refer to method codes, for example 9B1 breaks down to 9 = phosphate (element), B = Colwell (method) and 1 = manual colour UV/Vis (finish).